



## TWO POST LIFTS

MODEL: MAPOWER II 3.0/3.5 / ECON III 4.0/5.0  
ECONLIFT 6500 / HL CS 4.0



**For cars and transporters with total vehicle weights of up to 6.5 t**

- ◆ Large take-up area
- ◆ High-quality, robust technology
- ◆ Long service life

# MAPOWER II 3.0/3.5

## THE TECHNOLOGY

Effective mechanical brake prevents follow-up movement



Non-wearing and dirt-resistant proximity switch for non-contact determination of lifting height



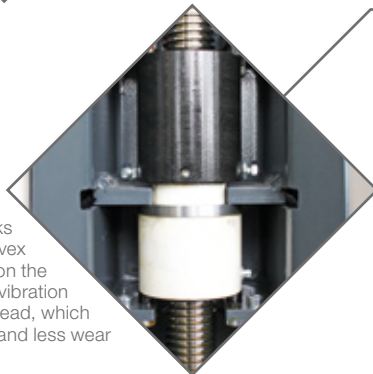
Permanent self-monitoring of all safety functions:

- ◆ Synchronised movement
- ◆ Phase failure
- ◆ Belt breakage
- ◆ Motor overload
- ◆ Limit switch cut-off, top/bottom and when an obstacle is driven over

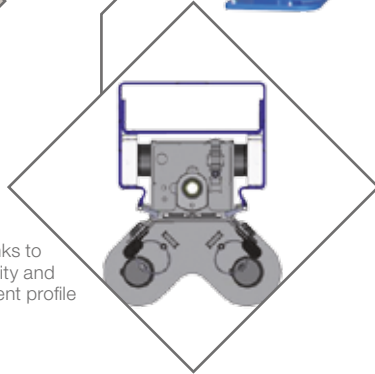
Additional control panel on the counter-post (optional)



Especially smooth running thanks to tension-free concave/convex mounting of the lifting carriage on the support nut with additional rubber vibration dampers. Spindle with large thread lead, which enables low number of rotations and less wear



Highly stable lifting posts thanks to outer contour optimised for rigidity and additional reinforcement profile



Hazard zone monitored with CE stop audible signal



Controls fully integrated into post – no protruding control unit, control panel with robust membrane keypad. Option: Energy set 1x 230 V, 1x compressed air.



Pivots rotated by 45°, allowing vehicle doors to open wide.

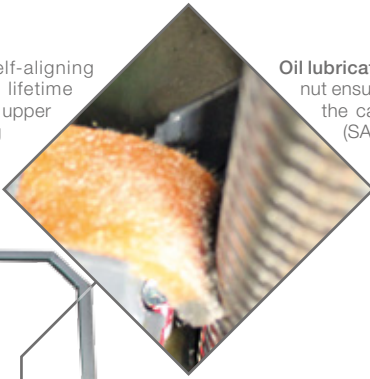


High level of safety, as all the teeth in the support-arm restraint's sprocket tooth segments have a form-locking connection. Fine adjustment for exact and secure positioning of the support arm at the vehicle take-up point

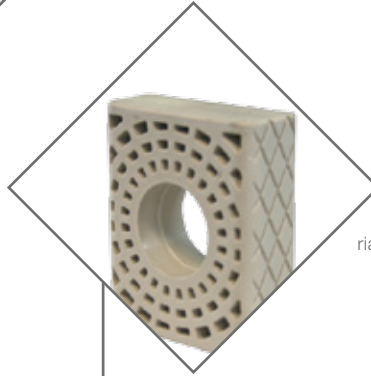
**No-maintenance** self-aligning ball bearings with lifetime lubrication for the upper spindle bearing



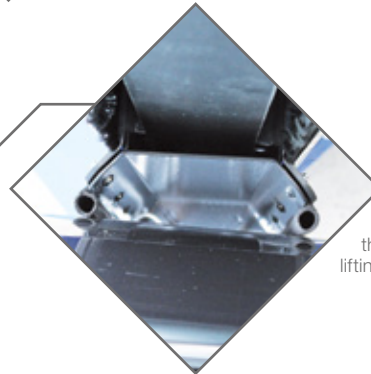
**Oil lubrication** inside the lock and support nut ensures optimum lubricant supply in the case of large servicing intervals (SAE 140 gear oil can be used)



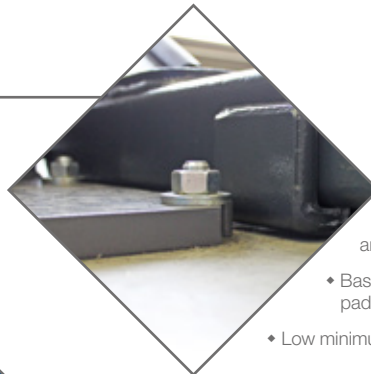
**Long service life** for the lifting carriage guide thanks to HWR system



Optimum door stop protection thanks to rubber tube profiles on lifting carriages

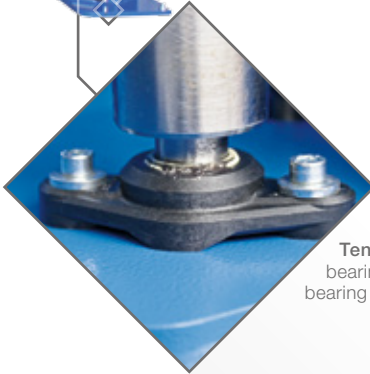


Support arms swivel **directly over the floor** and not over the base plate



- ◆ Base plate thickness does not impair minimum pad height of the support arm
- ◆ Low minimum pad height

**Tension-free** lower spindle bearing thanks to pivoting slide bearing



180° pivoting range of the short support arms provides maximum take-up area. This allows the support arms to be moved to the take-up points via the shortest possible route.



Comfortable working conditions thanks to large lifting height (2000 mm).



Great flexibility and safety thanks to MAHA support disc plug-in system

# MAPOWER II 3.0 / 3.5

FOR CARS AND VANS UP TO 3.5 T GROSS WEIGHT

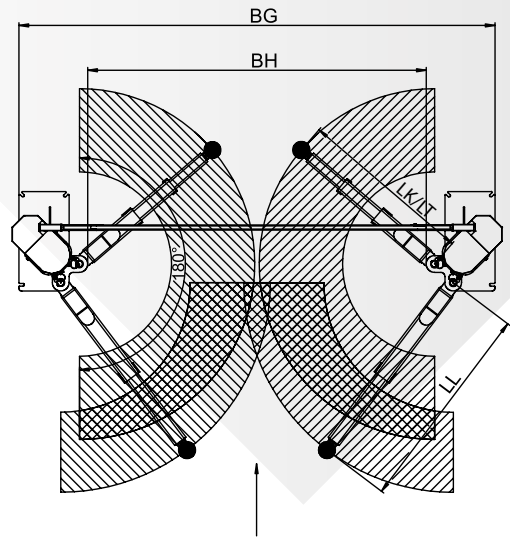
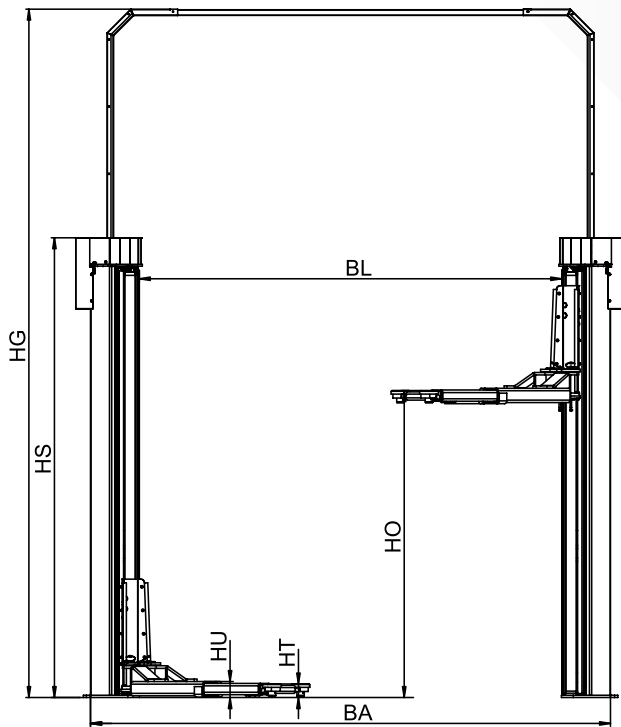


## Technical advantages *(supplementary to pages 2, 3)*

- ♦ Outstandingly stable lifting posts
- ♦ Support arms with large take-up area
- ♦ Short support arms double-telescoping (standard for 3.5 t version, optional for 3.0 t version)
- ♦ 5-year guarantee on wear of support nuts and spindles \*

\* Please note the detailed guarantee terms given in the operating manual

*‘Bucking the trend’*



## TECHNICAL DATA

	MAPOWER II 3.0	MAPOWER II 3.5
Load capacity	3000 kg	3500 kg
Max. lifting height HO	2000 mm	2000 mm
Lifting/lowering time, depending on load, roughly	40 s / 40 s	40 s / 40 s
Minimum pad height, support arm HU	95 mm	105 mm
Adjustment range, support disc HT	90 – 125 mm	95 – 125 mm
Extension range, short support arms, single-telescoping LK	555 – 850 mm	—
Extension range, short support arms, double-telescoping LT	570 – 1160 mm	660 – 1260 mm
Extension range, long support arms LL	945 – 1505 mm	920 – 1505 mm
Total width BG	3320 mm	3420 mm
Outer post width BA	3228 mm	3328 mm
Inside columns BL	2600 mm	2700 mm
Post height HS	2948 mm	2948 mm
Total height with cable-routing bracket HG	4410 mm	4410 mm
Drive-through clearance BH	2330 mm	2430 mm
Unladen weight without packaging	620 kg	650 kg
Drive power	2 x 3.0 kW	2 x 3.0 kW
Supply voltage	3 x 400 V, 50 Hz	3 x 400 V, 50 Hz
Fuse	16 A, slow-blow	16 A, slow-blow

# ECON III 4.0

FOR CARS AND VANS UP TO 4 T GROSS WEIGHT

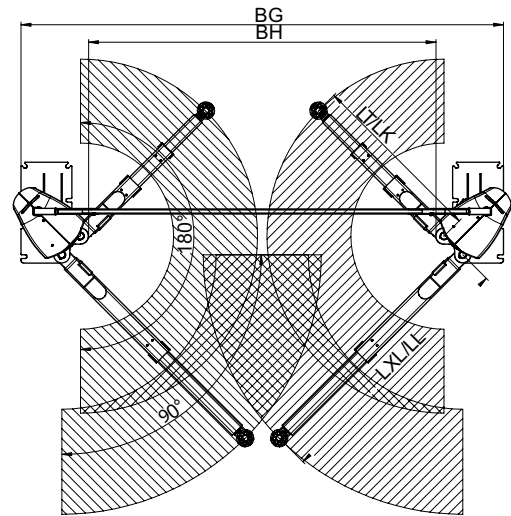
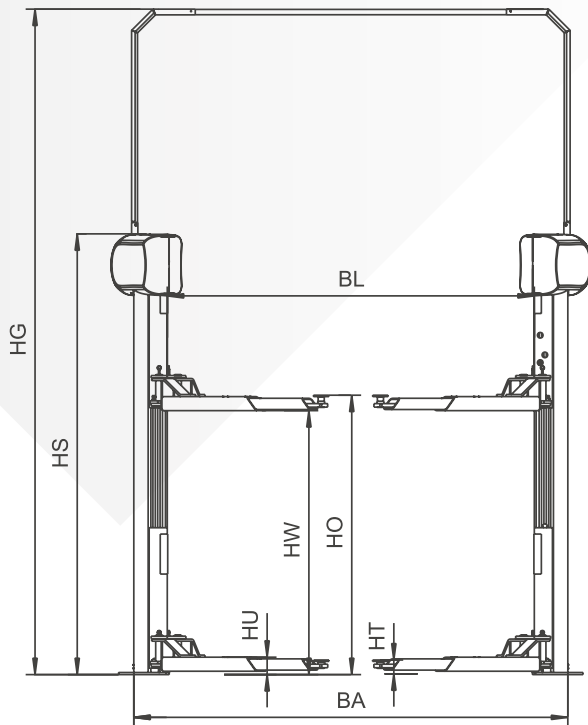


## Technical advantages

- ◆ Permanent self-monitoring of all safety functions
- ◆ Brief lifting and lowering time
- ◆ Support arms with large extension length suitable for vehicles ranging from the smallest cars to transporters
- ◆ Tried-and-tested MAHA plug-in system supplied as standard
- ◆ Highly stable lifting posts
- ◆ Non-wearing and dirt-resistant no-contact proximity switch for determination of lifting height
- ◆ No-maintenance self-aligning ball bearings thanks to lifetime lubrication for the upper spindle bearing
- ◆ Tension-free lower spindle bearing thanks to pivoting slide bearing
- ◆ High level of safety thanks to form-locking connection of all teeth in the support-arm restraint
- ◆ 180° pivoting range for short support arms
- ◆ 5-year guarantee on wear of support nuts and spindles thanks to HWR system \*

\* Please note the detailed guarantee terms given in the operating manual.

*'The all-rounder'*



## TECHNICAL DATA

Load capacity CE	4000 kg
Max. lifting height HO	2000 mm
Lifting distance HW	1880 mm
Lifting/lowering time roughly	40 s / 40 s
Minimum pad height, support arms HU	115 mm
Adjustment range, support disc HT	95 – 125 mm
Extension range, short support arms, double-telescoping LT	660 – 1260 mm
Extension range, extra-long support arms LXL	1095 – 1840 mm
Total width BG	3420 mm
Outer post width BA	3205 mm
Inside columns BL	2730 mm
Drive-through clearance BH	2465 mm
Post height HS	3140 mm
Total height with cable-routing bracket HG	4740 mm
Unladen weight	750 kg
Drive power	2 x 3.0 kW
Supply voltage	3 x 400 V / 50 Hz
Fuse	16 A, slow-blow

# ECON III 5.0

FOR CARS AND VANS UP TO 5 T GROSS WEIGHT



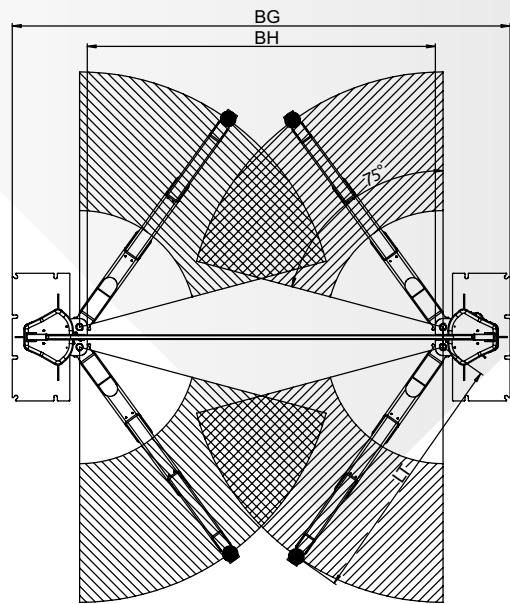
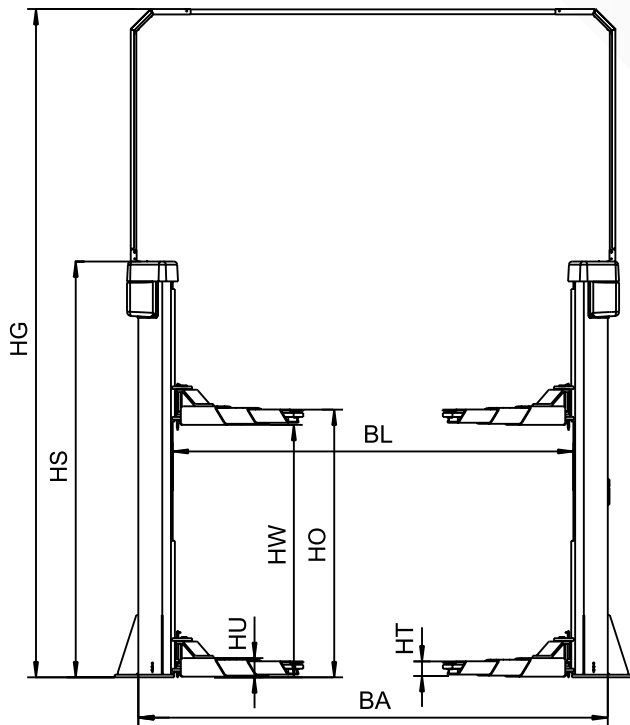
## Technical advantages

- ◆ Permanent self-monitoring of all safety functions
- ◆ Four double-telescoping support arms included in standard delivery, with large extension length for the smallest cars to transporters with large wheel track
- ◆ Stable support arms combined with low minimum pad height
- ◆ Tried-and-tested MAHA plug-in system supplied as standard
- ◆ Support arm extension support (optional)
- ◆ Highly stable lifting posts
- ◆ Non-wearing and dirt-resistant no-contact proximity switch for determination of lifting height
- ◆ No-maintenance self-aligning ball bearings thanks to lifetime lubrication for the upper spindle bearing
- ◆ Tension-free lower spindle bearing thanks to pivoting slide bearing
- ◆ High level of safety thanks to form-locking connection of all teeth in the support-arm restraint
- ◆ 5-year guarantee on wear of support nuts and spindles thanks to HWR system \*
- ◆ Wheel grab mounts (optional)

\* Please note the detailed guarantee terms given in the operating manual.

*'The powerhouse'*





## TECHNICAL DATA

Load capacity CE	5000 kg
Max. lifting height HO	2020 mm
Lifting distance HW	1880 mm
Lifting/lowering time roughly	70 s / 70 s
Minimum pad height, support arms HU	140 mm
Adjustment range, support disc HT	110 – 140 mm
Extension range, support arms, double-telescoping LT	914 – 2000 mm
Total width BG	3900 mm
Outer post width BA	3543 mm
Inside columns BL	3023 mm
Drive-through clearance BH	2730 mm
Post height HS	3138 mm
Total height with cable-routing bracket HG	5043 mm
Unladen weight	995 kg
Drive power	2 x 3.0 kW
Supply voltage	3 x 400 V / 50 Hz
Fuse	16 A, slow-blow

# ECONLIFT 6500

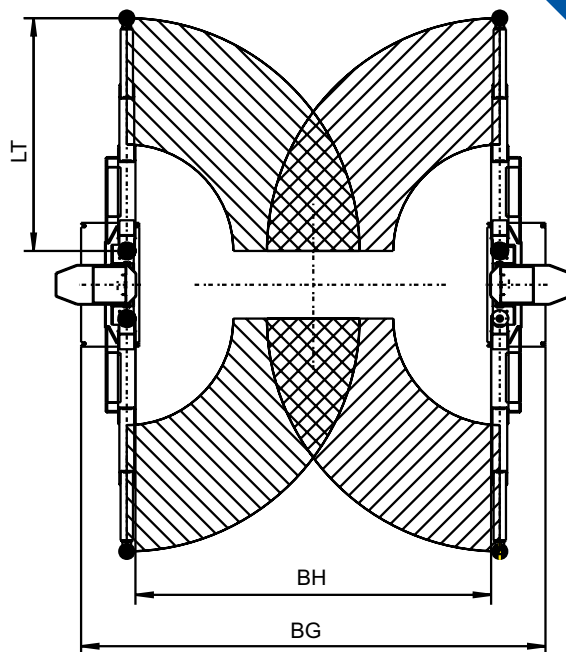
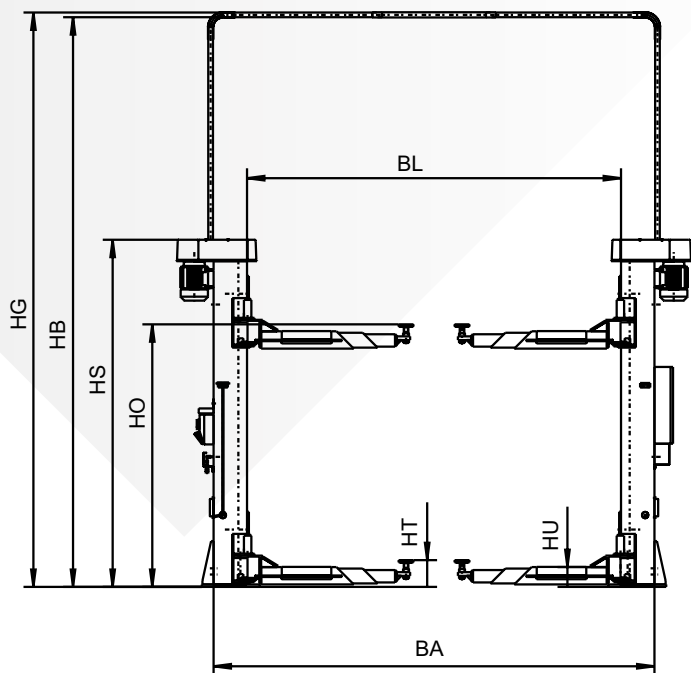
FOR CARS AND VANS UP TO 6.5 T GROSS WEIGHT



## Technical advantages

- ◆ No-base frame post design with two electronically controlled electric motors
- ◆ Highly stable post design
- ◆ Long-term oil lubrication for spindle and nut
- ◆ Automatic support-arm restraint with additional manual release
- ◆ Large lifting height
- ◆ Ideal for transporters
- ◆ Carriage guide inside load-bearing post with no-maintenance steel rollers
- ◆ Low-wear and low-maintenance plastic support nut
- ◆ Electronic microprocessor controls with self-monitoring of safety functions: synchronised movement, phase failure, belt breakage, support nut wear, motor overload, limit switch cut-off (top/bottom and for obstacles)
- ◆ Outstanding corrosion-protection thanks to powder coating
- ◆ 230 volt power socket on control unit
- ◆ Four support arms, double-telescoping (3-part) with roller-bearing mounted support for support arm supplied as standard
- ◆ 4 x 50 mm support disc raisers supplied as standard, other raisers (100/150/200 mm) available as an option

*'The load-bearer'*

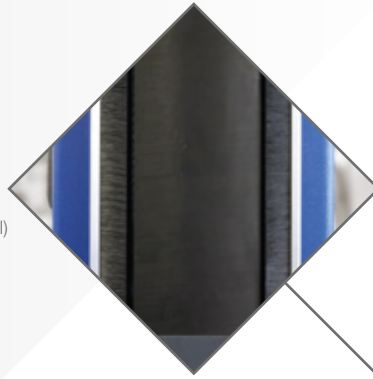


## TECHNICAL DATA

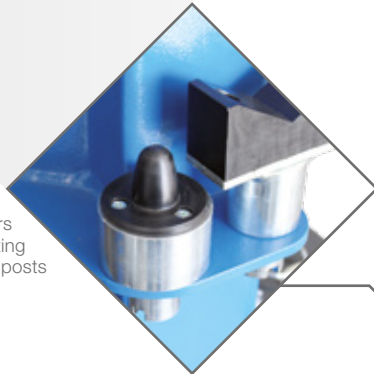
Load capacity CE	6500 kg
Post height HS	2955 mm
Max. lifting height HO	2075 mm
Minimum pad height HU support arm LT	160 mm
Adjustment range, support disc HT	130 – 175 mm
Lower edge, bracket HB	max. 4600 mm
Total height HG	max. 4640 mm
Extension range, support arms LT (double-telescoping)	860 – 1880 mm
Outer post width BA	3560 mm
Inside columns BL	3560 mm
Outer dimensions, base plate BG	3750 mm
Max. drive-through clearance BH	2810 mm
Lifting distance HW	1900 mm
Unladen weight	1430 kg
Lifting/lowering time, depending on load, roughly	45 s / 45 s
Drive power	2 x 4 kW
Supply voltage	3 x 400 V, 50 Hz
Fuse	35 A, slow-blow

## THE TECHNOLOGY

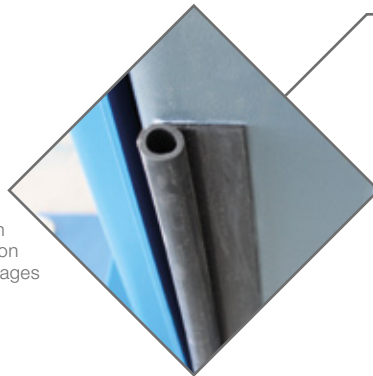
Post covers (optional)



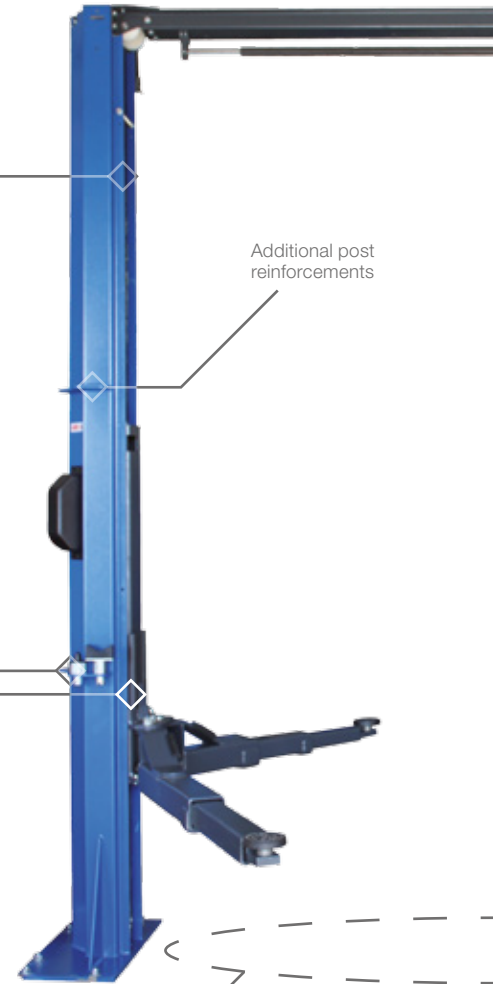
Places to store support raisers and special mounts on both lifting posts



Optimum door stop protection thanks to rubber tube profiles on lifting carriages



Additional post reinforcements



No-base frame design with no tripping hazard, making it easy to clean the floor and to push in vehicles that cannot be driven



Ergonomic two-hand controls

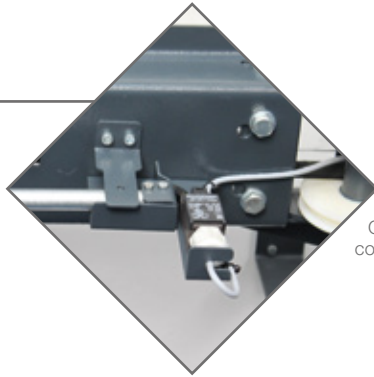


Support arms with asymmetric design, providing optimum door clearance



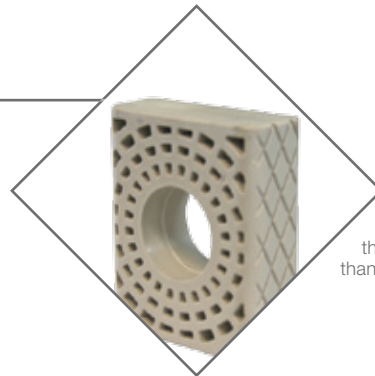
Automatic support-arm restraint with fine adjustment and manual release

Crossbar with large dimensions to support greater forces

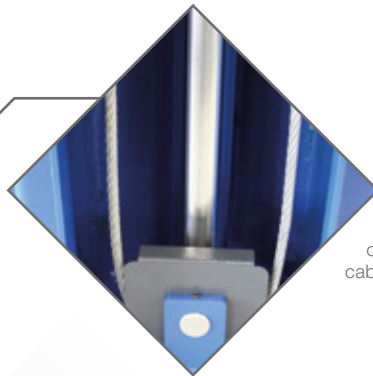


Crossbar fitted with electrical collision guard

Hydraulic unit mounted at the top of the control post to save space and reduce noise, providing greater freedom of movement around the lift.

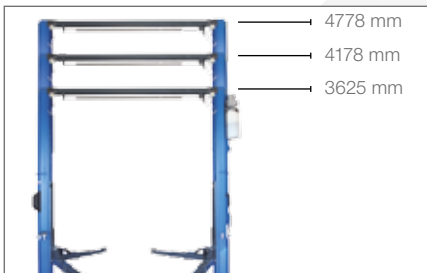


Long service life for the lifting carriage guide thanks to HWR system



Mechanical movement synchronisation achieved via steel cables, with no control behaviour

Large base plates for secure anchoring to floor



Available in three different total heights



Great flexibility and safety thanks to MAHA support disc plug-in system



Optional support raisers and special mounts for a wide range of vehicles

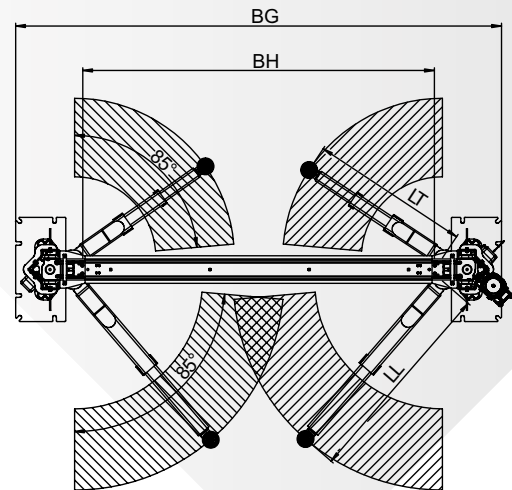
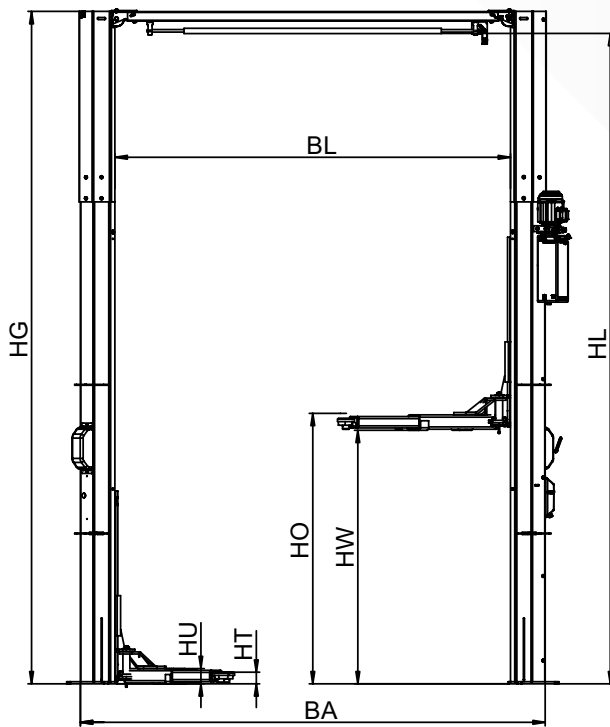
# HL CS 4.0

ELECTROHYDRAULIC, FOR CARS AND VANS UP TO 4 T GROSS WEIGHT



## Technical advantages *(supplementary to pages 12, 13)*

- ♦ Reliable and powerful drive combined with low energy consumption
- ♦ Low-maintenance
- ♦ Support arms with large extension length suitable for vehicles ranging from the smallest cars to transporters
- ♦ Short support arms, double-telescoping
- ♦ Optional transporter support arms, 2 pieces
- ♦ Support arms with low minimum pad height
- ♦ Mechanical safety latch, with manual release



## TECHNICAL DATA

	<b>HL CS 4.0</b>	<b>HL CS 4.0 L</b>	<b>HL CS 4.0 H</b>
Load capacity	4000 kg	4000 kg	4000 kg
Max. lifting height HO	1930 mm	1930 mm	1930 mm
Lifting/lowering time, depending on load, roughly	35/35 s	35/35 s	35/35 s
Minimum pad height, support arm HU	110 mm	110 mm	110 mm
Adjustment range, support disc HT	90 – 125 mm	90 – 125 mm	90 – 125 mm
Extension range, short support arms LK	585 – 1150 mm	585 – 1150 mm	585 – 1150 mm
Extension range, long support arms LL	920 – 1505 mm	920 – 1505 mm	920 – 1505 mm
Extension range, transporter support arms LLT	1100 – 1840 mm	1100 – 1840 mm	1100 – 1840 mm
Total height HG	4178 mm	3625 mm	4778 mm
Clear height to safety edge HL	4010 mm	3460 mm	4610 mm
Total width BG	3486 mm	3486 mm	3486 mm
Outer post width BA	3290 mm	3290 mm	3290 mm
Inside columns BL	2800 mm	2800 mm	2800 mm
Drive-through clearance BH	2450 mm	2450 mm	2450 mm
Unladen weight without packaging	700 kg	700 kg	700 kg
Drive power	2.2 kW	2.2 kW	2.2 kW
Supply voltage	3 x 400 V / 50 Hz	3 x 400 V / 50 Hz	3 x 400 V / 50 Hz
Fuse	16 A, slow-blow	16 A, slow-blow	16 A, slow-blow
Hydraulic oil volume	15 l	15 l	15 l
Packaging dimensions	3950 x 800 x 770 mm	3950 x 800 x 770 mm	3950 x 800 x 770 mm



All models  
Support disc raisers, 50 / 100 / 150 / 200 mm



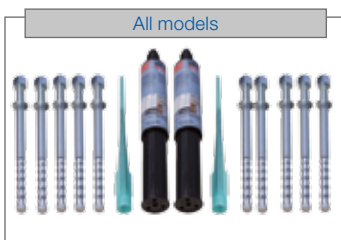
All models  
Special vehicle mounts: MB G-Class, support mandrel MB Sprinter/VW Crafter, special prism MB Sprinter/VW Crafter, plug-in system, slippage guard



All models  
Stainless steel storage tray for small parts



All models  
Mount for impact wrench



All models  
Installation accessories/injection anchor system



All models apart from HL CS 4.0  
Energy block with electricity and compressed-air connections



MAPOWER II series  
Control panel on counter-post



MAPOWER II series  
Parallelogram mount



All models  
Document holder



ECON III series  
Control unit on counter-post with energy set



ECON III 5.0 / ECONLIFT 6500  
Wheel grab mounts



ECON III 5.0 / ECONLIFT 6500  
Support arm extension support, parallelogram (standard for ECONLIFT 6500)

## GLOBAL PLAYER

... in more than 150 countries worldwide

### Subsidiaries

- |           |         |             |              |
|-----------|---------|-------------|--------------|
| Australia | France  | New Zealand | Spain        |
| Canada    | India   | Poland      | South Africa |
| Chile     | Ireland | Russia      | UK           |
| China     | Japan   | Singapore   | USA          |
|           |         |             | UAE          |
|           |         |             | Vietnam      |

MAHA Maschinenbau Haldenwang GmbH & Co. KG  
Hoyen 20 | 87490 Haldenwang | Germany

Phone +49 8374 585 0  
Fax +49 8374 585 497

sales@maha.de | www.maha.de